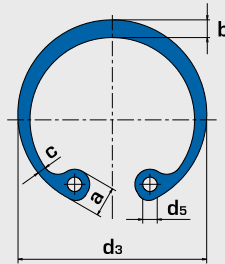
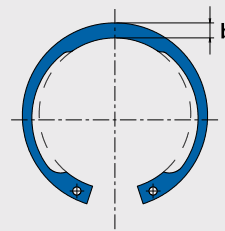


d₁ 25 ÷ 125d₁ 131 ÷ 750
2000-5000

Dimensioni in pollici - Dimensions in inches - Abmessungen in Zoll

Ring n°	d ₁	s		d ₃		a		b		c		d ₅	
25	.250	.015	+ .002 - .002	.280	+ .010 - .005	.065	+ .003 - .003	.025	+ .002 - .002	.015	+ .002 - .002	.031	+ .010 - .002
31	.312	.015	+ .002 - .002	.346	+ .010 - .005	.091	+ .004 - .004	.043	+ .002 - .002	.026	+ .002 - .002	.047	+ .000 - .006
37	.375	.025	+ .002 - .002	.415	+ .010 - .005	.082	+ .003 - .003	.040	+ .003 - .003	.028	+ .003 - .003	.041	+ .010 - .002
43	.438	.025	+ .002 - .002	.482	+ .010 - .005	.098	+ .003 - .003	.049	+ .003 - .003	.029	+ .003 - .003	.041	+ .010 - .002
45	.453	.025	+ .002 - .002	.498	+ .010 - .005	.098	+ .003 - .003	.050	+ .003 - .003	.030	+ .003 - .003	.047	+ .010 - .002
50	.500	.035	+ .002 - .002	.548	+ .010 - .005	.114	+ .003 - .003	.053	+ .004 - .004	.035	+ .004 - .004	.047	+ .010 - .002
51	.512	.035	+ .002 - .002	.560	+ .010 - .005	.114	+ .005 - .005	.053	+ .004 - .004	.035	+ .004 - .004	.047	+ .010 - .002
56	.562	.035	+ .002 - .002	.620	+ .010 - .005	.132	+ .005 - .005	.053	+ .004 - .004	.035	+ .004 - .004	.047	+ .010 - .002
62	.625	.035	+ .002 - .002	.694	+ .010 - .005	.132	+ .005 - .005	.060	+ .004 - .004	.035	+ .004 - .004	.062	+ .010 - .002
68	.688	.035	+ .002 - .002	.763	+ .010 - .005	.132	+ .005 - .005	.063	+ .004 - .004	.036	+ .004 - .004	.062	+ .010 - .002
75	.750	.035	+ .002 - .002	.831	+ .010 - .005	.142	+ .005 - .005	.070	+ .004 - .004	.040	+ .004 - .004	.062	+ .010 - .002
77	.777	.042	+ .002 - .002	.859	+ .010 - .005	.146	+ .005 - .005	.074	+ .005 - .005	.044	+ .005 - .005	.062	+ .010 - .002
81	.812	.042	+ .002 - .002	.901	+ .015 - .010	.155	+ .005 - .005	.077	+ .005 - .005	.044	+ .005 - .005	.062	+ .010 - .002
86	.866	.042	+ .002 - .002	.961	+ .015 - .010	.155	+ .005 - .005	.081	+ .005 - .005	.045	+ .005 - .005	.062	+ .010 - .002
87	.875	.042	+ .002 - .002	.971	+ .015 - .010	.155	+ .005 - .005	.084	+ .005 - .005	.045	+ .005 - .005	.062	+ .010 - .002
90	.901	.042	+ .002 - .002	1,000	+ .015 - .010	.155	+ .005 - .005	.087	+ .005 - .005	.047	+ .005 - .005	.062	+ .010 - .002
93	.938	.042	+ .002 - .002	1,041	+ .015 - .010	.155	+ .005 - .005	.091	+ .005 - .005	.050	+ .005 - .005	.062	+ .010 - .002
100	1,000	.042	+ .002 - .002	1,111	+ .015 - .010	.155	+ .005 - .005	.104	+ .005 - .005	.052	+ .005 - .005	.062	+ .010 - .002
102	1,023	.042	+ .002 - .002	1,136	+ .015 - .010	.155	+ .005 - .005	.106	+ .005 - .005	.054	+ .005 - .005	.062	+ .010 - .002
106	1,062	.050	+ .002 - .002	1,180	+ .025 - .020	.180	+ .005 - .005	.110	+ .006 - .006	.055	+ .006 - .006	.078	+ .015 - .002
112	1,125	.050	+ .002 - .002	1,249	+ .025 - .020	.180	+ .005 - .005	.116	+ .006 - .006	.057	+ .006 - .006	.078	+ .015 - .002

segue - to continue - Fortsetzung folgt

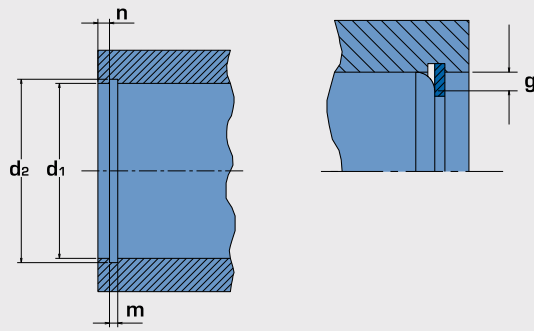
 Dimensioni sede
 Housing dimensions
 Nutmaße

 Dimensioni anello
 Ring dimensions
 Ringmaße

 Dati Complementari
 Supplementary data
 Ergänzende Daten

 Libbre per 1.000 pezzi
 Pound per 1.000 pieces
 Pfund je 1.000 St.

 Pinza
 Plier
 Zange



2000-5000

1b

Dimensioni in pollici - Dimensions in inches - Abmessungen in Zoll

Ring n°	d1	d2		m		n	FN	FR	g	FRg	lbs	Pinza	
			+ .001 - .001		+ .002 - .000							/	/
25	.250	.268		.020		.027	190	426	.0085	190	.053	/	/
31	.312	.330		.020		.027	240	538	.0130	190	.132	JO	JO1
37	.375	.397		.029		.033	350	1066	.0180	530	.264	JO	JO1
43	.438	.461		.029		.036	440	1238	.0210	530	.374	JO	JO1
45	.453	.477		.029		.036	460	1299	.0210	530	.374	JO	JO1
50	.500	.530		.039		.045	510	2010	.0210	1100	.682	JO	JO1
51	.512	.542		.039		.045	520	2060	.0210	1100	.682	JO	JO1
56	.562	.596		.039		.051	710	2253	.0210	1100	.790	JO	JO1
62	.625	.665		.039		.060	1050	2507	.0210	1100	1.030	J1	J11
68	.688	.732		.039		.066	1280	2741	.0210	1100	1.034	J1	J11
75	.750	.796		.039		.069	1460	3045	.0250	1100	1.296	J1	J11
77	.777	.825		.046		.072	1580	4618	.0280	1650	1.650	J1	J11
81	.812	.862		.046		.075	1710	4872	.0280	1650	1.771	J1	J11
86	.866	.920		.046		.081	1980	5177	.0280	1650	1.980	J1	J11
87	.875	.931		.046		.084	2080	5227	.0280	1650	1.991	J1	J11
90	.901	.959		.046		.087	2200	5430	.0300	1650	2.156	J1	J11
93	.938	1.000		.046		.093	2450	5684	.0300	1650	2.354	J1	J11
100	1.000	1.066		.046		.099	2800	6039	.0340	1650	2.706	J1	J11
102	1.023	1.091		.046		.102	3000	6141	.0340	1650	2.838	J1	J11
106	1.062	1.130		.056		.102	3050	7562	.0350	2400	3.696	J2	J21
112	1.125	1.197		.056		.108	3400	8019	.0360	2400	4.070	J2	J21

segue - to continue - Fortsetzung folgt

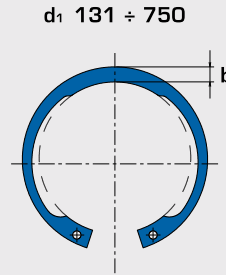
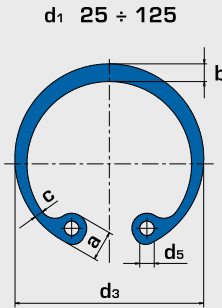
Dimensioni sede
Housing dimensions
Nutmaße

Dimensioni anello
Ring dimensions
Ringmaße

Dati Complementari
Supplementary data
Ergänzende Daten

Libbre per 1.000 pezzi
Pound per 1.000 pieces
Pfund je 1.000 St.

Pinza
Plier
Zange


2000-5000

Dimensioni in pollici - Dimensions in inches - Abmessungen in Zoll

Ring n°	d ₁	s		d ₃		a		b		c		d ₅	
118	1,181	,050	+ ,002 - ,002	1,319	+ ,025 - ,020	,180	+ ,005 - ,005	,120	+ ,006 - ,006	,058	+ ,006 - ,006	,078	+ ,015 - ,002
118	1,188	,050	+ ,002 - ,002	1,319	+ ,025 - ,020	,180	+ ,005 - ,005	,120	+ ,006 - ,006	,058	+ ,006 - ,006	,078	+ ,015 - ,002
125	1,250	,050	+ ,002 - ,002	1,388	+ ,025 - ,020	,180	+ ,005 - ,005	,124	+ ,006 - ,006	,062	+ ,006 - ,006	,078	+ ,015 - ,002
125	1,259	,050	+ ,002 - ,002	1,388	+ ,025 - ,020	,180	+ ,005 - ,005	,124	+ ,006 - ,006	,062	+ ,006 - ,006	,078	+ ,015 - ,002
131	1,312	,050	+ ,002 - ,002	1,456	+ ,025 - ,020	,201	+ ,006 - ,006	,130	+ ,006 - ,006	,062	+ ,006 - ,006	,078	+ ,015 - ,002
137	1,375	,050	+ ,002 - ,002	1,526	+ ,025 - ,020	,201	+ ,006 - ,006	,130	+ ,006 - ,006	,063	+ ,006 - ,006	,078	+ ,015 - ,002
137	1,378	,050	+ ,002 - ,002	1,526	+ ,025 - ,020	,201	+ ,006 - ,006	,130	+ ,006 - ,006	,063	+ ,006 - ,006	,078	+ ,015 - ,002
143	1,438	,050	+ ,002 - ,002	1,596	+ ,025 - ,020	,201	+ ,006 - ,006	,133	+ ,006 - ,006	,065	+ ,006 - ,006	,078	+ ,015 - ,002
145	1,456	,050	+ ,002 - ,002	1,616	+ ,025 - ,020	,201	+ ,006 - ,006	,133	+ ,006 - ,006	,065	+ ,006 - ,006	,078	+ ,015 - ,002
150	1,500	,050	+ ,002 - ,002	1,660	+ ,025 - ,020	,201	+ ,006 - ,006	,133	+ ,006 - ,006	,066	+ ,006 - ,006	,078	+ ,015 - ,002
156	1,562	,062	+ ,003 - ,003	1,734	+ ,035 - ,025	,213	+ ,006 - ,006	,157	+ ,007 - ,007	,078	+ ,007 - ,007	,078	+ ,015 - ,002
156	1,575	,062	+ ,003 - ,003	1,734	+ ,035 - ,025	,213	+ ,006 - ,006	,157	+ ,007 - ,007	,078	+ ,007 - ,007	,078	+ ,015 - ,002
162	1,625	,062	+ ,003 - ,003	1,804	+ ,035 - ,025	,213	+ ,006 - ,006	,164	+ ,007 - ,007	,082	+ ,007 - ,007	,078	+ ,015 - ,002
165	1,653	,062	+ ,003 - ,003	1,835	+ ,035 - ,025	,213	+ ,006 - ,006	,167	+ ,007 - ,007	,083	+ ,007 - ,007	,078	+ ,015 - ,002
168	1,688	,062	+ ,003 - ,003	1,874	+ ,035 - ,025	,213	+ ,006 - ,006	,170	+ ,007 - ,007	,085	+ ,007 - ,007	,078	+ ,015 - ,002
175	1,750	,062	+ ,003 - ,003	1,942	+ ,035 - ,025	,213	+ ,006 - ,006	,170	+ ,007 - ,007	,083	+ ,007 - ,007	,078	+ ,015 - ,002
181	1,812	,062	+ ,003 - ,003	2,012	+ ,035 - ,025	,213	+ ,006 - ,006	,170	+ ,007 - ,007	,084	+ ,007 - ,007	,093	+ ,015 - ,002
185	1,850	,062	+ ,003 - ,003	2,054	+ ,035 - ,025	,213	+ ,006 - ,006	,170	+ ,007 - ,007	,085	+ ,007 - ,007	,093	+ ,015 - ,002
187	1,875	,062	+ ,003 - ,003	2,072	+ ,035 - ,025	,213	+ ,006 - ,006	,170	+ ,007 - ,007	,085	+ ,007 - ,007	,093	+ ,015 - ,002
193	1,938	,062	+ ,003 - ,003	2,141	+ ,035 - ,025	,213	+ ,006 - ,006	,170	+ ,007 - ,007	,085	+ ,007 - ,007	,093	+ ,015 - ,002
200	2,000	,062	+ ,003 - ,003	2,210	+ ,035 - ,025	,213	+ ,006 - ,006	,170	+ ,007 - ,007	,085	+ ,007 - ,007	,093	+ ,015 - ,002

segue - to continue - Fortsetzung folgt

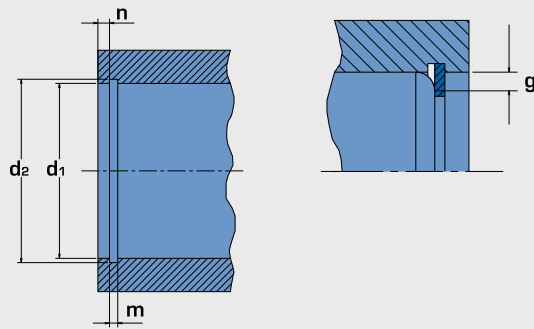
 Dimensioni sede
 Housing dimensions
 Nutmaße

 Dimensioni anello
 Ring dimensions
 Ringmaße

 Dati Complementari
 Supplementary data
 Ergänzende Daten

 Libbre per 1.000 pezzi
 Pound per 1.000 pieces
 Pfund je 1.000 St.


 Pinza
 Plier
 Zange



2000-5000

1b

Dimensioni in pollici - Dimensions in inches - Abmessungen in Zoll

Ring n°	d ₁	d ₂		m		n	F _N	F _R	g	F _{Rg}	lbs		
118	1,181	1,255	+ ,004 - ,004	,056	+ ,004 - ,000	,111	3700	8526	,0360	2400	4,367	J2	J21
118	1,188	1,262	+ ,004 - ,004	,056	+ ,004 - ,000	,111	3700	8526	,0360	2400	4,367	J2	J21
125	1,250	1,330	+ ,004 - ,004	,056	+ ,004 - ,000	,120	4250	8932	,0380	2400	4,774	J2	J21
125	1,259	1,339	+ ,004 - ,004	,056	+ ,004 - ,000	,120	4250	8932	,0380	2400	4,774	J2	J21
131	1,312	1,396	+ ,004 - ,004	,056	+ ,004 - ,000	,126	4700	9440	,0380	2400	5,918	J2	J21
137	1,375	1,461	+ ,004 - ,004	,056	+ ,004 - ,000	,129	5050	9846	,0380	2400	5,837	J2	J21
137	1,378	1,464	+ ,004 - ,004	,056	+ ,004 - ,000	,129	5050	9846	,0380	2400	5,837	J2	J21
143	1,438	1,528	+ ,004 - ,004	,056	+ ,004 - ,000	,135	5500	10353	,0380	2400	6,664	J2	J21
145	1,456	1,548	+ ,004 - ,004	,056	+ ,004 - ,000	,138	5700	10455	,0380	2400	6,930	J2	J21
150	1,500	1,594	+ ,004 - ,004	,056	+ ,004 - ,000	,141	6000	10708	,0380	2400	6,417	J2	J21
156	1,562	1,658	+ ,005 - ,005	,068	+ ,004 - ,000	,144	6350	13906	,0500	3900	9,372	J2	J21
156	1,575	1,671	+ ,005 - ,005	,068	+ ,004 - ,000	,144	6350	13906	,0500	3900	9,372	J2	J21
162	1,625	1,725	+ ,005 - ,005	,068	+ ,004 - ,000	,150	6900	14413	,0500	3900	10,010	J2	J21
165	1,653	1,755	+ ,005 - ,005	,068	+ ,004 - ,000	,153	7200	14718	,0500	3900	10,406	J2	J21
168	1,688	1,792	+ ,005 - ,005	,068	+ ,004 - ,000	,156	7450	15022	,0500	3900	11,143	J2	J21
175	1,750	1,858	+ ,005 - ,005	,068	+ ,004 - ,000	,162	8050	15580	,0500	3900	11,658	J2	J21
181	1,812	1,922	+ ,005 - ,005	,068	+ ,004 - ,000	,165	8450	16139	,0500	3900	11,948	J2	J21
185	1,850	1,962	+ ,005 - ,005	,068	+ ,004 - ,000	,168	8750	16443	,0500	3900	12,298	J2	J21
187	1,875	1,989	+ ,005 - ,005	,068	+ ,004 - ,000	,171	9050	16697	,0500	3900	12,822	J2	J21
193	1,938	2,056	+ ,005 - ,005	,068	+ ,004 - ,000	,177	9700	17255	,0500	3900	12,890	J2	J21
200	2,000	2,122	+ ,005 - ,005	,068	+ ,004 - ,000	,183	10300	17763	,0500	3900	13,376	J2	J21

segue - to continue - Fortsetzung folgt

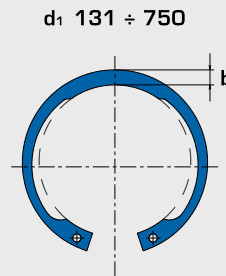
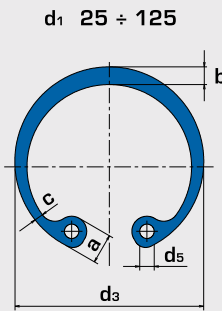
Dimensioni sede
Housing dimensions
Nutmaße

Dimensioni anello
Ring dimensions
Ringmaße

Dati Complementari
Supplementary data
Ergänzende Daten

Libbre per 1.000 pezzi
Pound per 1.000 pieces
Pfund je 1.000 St.

Pinza
Plier
Zange


2000-5000

Dimensioni in pollici - Dimensions in inches - Abmessungen in Zoll

Ring n°	d ₁	s		d ₃		a		b		c		d ₅	
206	2,047	,078	+ ,003 - ,003	2,280	+ ,040 - ,030	,228	+ ,006 - ,006	,228	+ ,006 - ,006	,091	+ ,007 - ,007	,093	+ ,015 - ,002
206	2,062	,078	+ ,003 - ,003	2,280	+ ,040 - ,030	,228	+ ,006 - ,006	,228	+ ,006 - ,006	,091	+ ,007 - ,007	,093	+ ,015 - ,002
212	2,125	,078	+ ,003 - ,003	2,350	+ ,040 - ,030	,228	+ ,006 - ,006	,228	+ ,006 - ,006	,096	+ ,007 - ,007	,093	+ ,015 - ,002
218	2,165	,078	+ ,003 - ,003	2,415	+ ,040 - ,030	,228	+ ,006 - ,006	,228	+ ,006 - ,006	,098	+ ,007 - ,007	,093	+ ,015 - ,002
218	2,188	,078	+ ,003 - ,003	2,415	+ ,040 - ,030	,228	+ ,006 - ,006	,228	+ ,006 - ,006	,098	+ ,007 - ,007	,093	+ ,015 - ,002
225	2,250	,078	+ ,003 - ,003	2,490	+ ,040 - ,030	,228	+ ,006 - ,006	,228	+ ,006 - ,006	,099	+ ,007 - ,007	,093	+ ,015 - ,002
231	2,312	,078	+ ,003 - ,003	2,560	+ ,040 - ,030	,228	+ ,006 - ,006	,228	+ ,006 - ,006	,100	+ ,007 - ,007	,093	+ ,015 - ,002
237	2,375	,078	+ ,003 - ,003	2,630	+ ,040 - ,030	,228	+ ,006 - ,006	,228	+ ,006 - ,006	,102	+ ,007 - ,007	,093	+ ,015 - ,002
244	2,440	,078	+ ,003 - ,003	2,702	+ ,040 - ,030	,228	+ ,006 - ,006	,228	+ ,006 - ,006	,103	+ ,007 - ,007	,110	+ ,015 - ,002
250	2,500	,078	+ ,003 - ,003	2,775	+ ,040 - ,030	,248	+ ,006 - ,006	,248	+ ,006 - ,006	,114	+ ,012 - ,000	,128	+ ,000 - ,008
250	2,531	,078	+ ,003 - ,003	2,775	+ ,040 - ,030	,248	+ ,006 - ,006	,248	+ ,006 - ,006	,114	+ ,012 - ,000	,128	+ ,000 - ,008
256	2,562	,093	+ ,003 - ,003	2,844	+ ,040 - ,030	,260	+ ,006 - ,006	,260	+ ,006 - ,006	,109	+ ,007 - ,007	,110	+ ,015 - ,002
262	2,625	,093	+ ,003 - ,003	2,910	+ ,040 - ,030	,260	+ ,006 - ,006	,260	+ ,006 - ,006	,111	+ ,007 - ,007	,110	+ ,015 - ,002
268	2,677	,093	+ ,003 - ,003	2,980	+ ,040 - ,030	,260	+ ,006 - ,006	,260	+ ,006 - ,006	,113	+ ,007 - ,007	,110	+ ,015 - ,002
268	2,688	,093	+ ,003 - ,003	2,980	+ ,040 - ,030	,260	+ ,006 - ,006	,260	+ ,006 - ,006	,113	+ ,007 - ,007	,110	+ ,015 - ,002
275	2,750	,093	+ ,003 - ,003	3,050	+ ,040 - ,030	,260	+ ,006 - ,006	,260	+ ,006 - ,006	,115	+ ,007 - ,007	,110	+ ,015 - ,002
281	2,812	,093	+ ,003 - ,003	3,121	+ ,040 - ,030	,260	+ ,006 - ,006	,260	+ ,006 - ,006	,115	+ ,007 - ,007	,110	+ ,015 - ,002
281	2,835	,093	+ ,003 - ,003	3,121	+ ,040 - ,030	,260	+ ,006 - ,006	,260	+ ,006 - ,006	,115	+ ,007 - ,007	,110	+ ,015 - ,002
287	2,875	,093	+ ,003 - ,003	3,191	+ ,040 - ,030	,260	+ ,006 - ,006	,260	+ ,006 - ,006	,120	+ ,007 - ,007	,110	+ ,015 - ,002
300	2,953	,093	+ ,003 - ,003	3,325	+ ,040 - ,030	,260	+ ,006 - ,006	,260	+ ,006 - ,006	,122	+ ,007 - ,007	,110	+ ,015 - ,002
300	3,000	,093	+ ,003 - ,003	3,325	+ ,040 - ,030	,260	+ ,006 - ,006	,260	+ ,006 - ,006	,122	+ ,007 - ,007	,110	+ ,015 - ,002

segue - to continue - Fortsetzung folgt

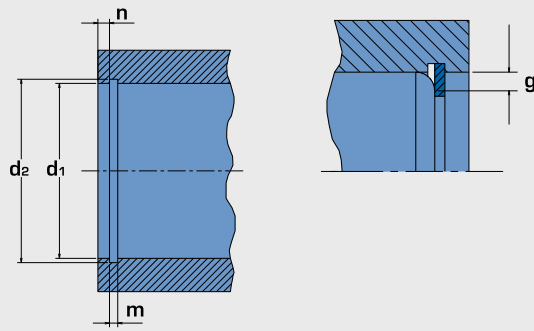
 Dimensioni sede
 Housing dimensions
 Nutmaße

 Dimensioni anello
 Ring dimensions
 Ringmaße

 Dati Complementari
 Supplementary data
 Ergänzende Daten

 Libbre per 1.000 pezzi
 Pound per 1.000 pieces
 Pfund je 1.000 St.

 Pinza
 Plier
 Zange



2000-5000

1b

Dimensioni in pollici - Dimensions in inches - Abmessungen in Zoll

Ring n°	d ₁	d ₂	m	n	F _N	F _R	g	F _{Rg}	lbs	Pinza	
206	2,047	2,171 +.006 -.006	,086 +.005 -.000	,186	10850	23091	,0610	6200	19,294	J2	J21
206	2,062	2,186 +.006 -.006	,086 +.005 -.000	,186	10850	23091	,0620	6200	19,294	J2	J21
212	2,125	2,251 +.006 -.006	,086 +.005 -.000	,189	11350	23751	,0620	6200	19,250	J2	J21
218	2,165	2,295 +.006 -.006	,086 +.005 -.000	,195	12050	24461	,0620	6200	20,548	J2	J21
218	2,188	2,318 +.006 -.006	,086 +.005 -.000	,195	12050	24461	,0620	6200	20,548	J2	J21
225	2,250	2,382 +.006 -.006	,086 +.005 -.000	,198	12600	25223	,0620	6200	20,350	J2	J21
231	2,312	2,450 +.006 -.006	,086 +.005 -.000	,207	13550	25832	,0620	6200	22,352	J2	J21
237	2,375	2,517 +.006 -.006	,086 +.005 -.000	,213	14300	26542	,0620	6200	23,738	J2	J21
244	2,440	2,584 +.006 -.006	,086 +.005 -.000	,216	14900	27304	,0620	6200	24,684	J3	J31
250	2,500	2,648 +.006 -.006	,086 +.005 -.000	,222	15650	28014	,0620	6200	30,749	J3	J31
250	2,531	2,681 +.006 -.006	,086 +.005 -.000	,225	15650	28014	,0620	6200	30,749	J3	J31
256	2,562	2,714 +.006 -.006	,103 +.005 -.000	,228	16500	34206	,0700	9000	34,122	J3	J31
262	2,625	2,781 +.006 -.006	,103 +.005 -.000	,234	17350	35068	,0700	9000	34,454	J3	J31
268	2,677	2,837 +.006 -.006	,103 +.005 -.000	,240	18250	35931	,0720	9000	38,898	J3	J31
268	2,688	2,848 +.006 -.006	,103 +.005 -.000	,240	18250	35931	,0720	9000	38,898	J3	J31
275	2,750	2,914 +.006 -.006	,103 +.005 -.000	,246	19200	36642	,0740	9000	38,474	J3	J31
281	2,812	2,980 +.006 -.006	,103 +.005 -.000	,252	20050	37504	,0700	9000	39,734	J3	J31
281	2,835	3,006 +.006 -.006	,103 +.005 -.000	,255	20050	37504	,0700	9000	39,734	J3	J31
287	2,875	3,051 +.006 -.006	,103 +.005 -.000	,264	21500	38367	,0740	9000	42,986	J3	J31
300	2,953	3,135 +.006 -.006	,103 +.005 -.000	,273	23150	40093	,0740	9000	44,095	J3	J31
300	3,000	3,182 +.006 -.006	,103 +.005 -.000	,273	23150	40093	,0740	9000	44,095	J3	J31

segue - to continue - Fortsetzung folgt

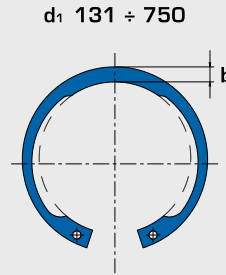
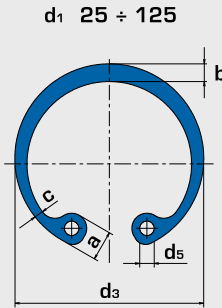
Dimensioni sede
Housing dimensions
Nutmaße

Dimensioni anello
Ring dimensions
Ringmaße

Dati Complementari
Supplementary data
Ergänzende Daten

Libbre per 1.000 pezzi
Pound per 1.000 pieces
Pfund je 1.000 St.

Pinza
Plier
Zange


2000-5000

Dimensioni in pollici - Dimensions in inches - Abmessungen in Zoll

Ring n°	d ₁	s		d ₅		a		b		c		d ₅	
306	3,062	,109	+ ,003 - ,003	3,418	+ ,055 - ,055	,315	+ ,008 - ,008	,315	+ ,008 - ,008	,126	+ ,008 - ,008	,125	+ ,015 - ,002
312	3,125	,109	+ ,003 - ,003	3,488	+ ,055 - ,055	,315	+ ,008 - ,008	,315	+ ,008 - ,008	,129	+ ,008 - ,008	,125	+ ,015 - ,002
315	3,149	,109	+ ,003 - ,003	3,523	+ ,055 - ,055	,315	+ ,008 - ,008	,315	+ ,008 - ,008	,129	+ ,008 - ,008	,125	+ ,015 - ,002
315	3,156	,109	+ ,003 - ,003	3,523	+ ,055 - ,055	,315	+ ,008 - ,008	,315	+ ,008 - ,008	,129	+ ,008 - ,008	,125	+ ,015 - ,002
325	3,250	,109	+ ,003 - ,003	3,623	+ ,055 - ,055	,315	+ ,008 - ,008	,315	+ ,008 - ,008	,135	+ ,008 - ,008	,125	+ ,015 - ,002
334	3,346	,109	+ ,003 - ,003	3,734	+ ,055 - ,055	,315	+ ,008 - ,008	,315	+ ,008 - ,008	,140	+ ,008 - ,008	,125	+ ,015 - ,002
347	3,469	,109	+ ,003 - ,003	3,857	+ ,055 - ,055	,315	+ ,008 - ,008	,315	+ ,008 - ,008	,144	+ ,008 - ,008	,125	+ ,015 - ,002
350	3,500	,109	+ ,003 - ,003	3,890	+ ,055 - ,055	,315	+ ,008 - ,008	,315	+ ,008 - ,008	,142	+ ,008 - ,008	,125	+ ,015 - ,002
354	3,543	,109	+ ,003 - ,003	3,936	+ ,055 - ,055	,315	+ ,008 - ,008	,315	+ ,008 - ,008	,142	+ ,008 - ,008	,125	+ ,015 - ,002
354	3,562	,109	+ ,003 - ,003	3,936	+ ,055 - ,055	,315	+ ,008 - ,008	,315	+ ,008 - ,008	,142	+ ,008 - ,008	,125	+ ,015 - ,002
362	3,625	,109	+ ,003 - ,003	4,024	+ ,055 - ,055	,315	+ ,008 - ,008	,315	+ ,008 - ,008	,150	+ ,008 - ,008	,125	+ ,015 - ,002
375	3,740	,109	+ ,003 - ,003	4,157	+ ,065 - ,065	,315	+ ,008 - ,008	,315	+ ,008 - ,008	,155	+ ,008 - ,008	,125	+ ,015 - ,002
375	3,750	,109	+ ,003 - ,003	4,157	+ ,065 - ,065	,315	+ ,008 - ,008	,315	+ ,008 - ,008	,155	+ ,008 - ,008	,125	+ ,015 - ,002
387	3,875	,109	+ ,003 - ,003	4,291	+ ,065 - ,065	,331	+ ,012 - ,012	,331	+ ,012 - ,012	,160	+ ,008 - ,008	,125	+ ,015 - ,002
393	3,938	,109	+ ,003 - ,003	4,358	+ ,065 - ,065	,331	+ ,012 - ,012	,331	+ ,012 - ,012	,161	+ ,008 - ,008	,125	+ ,015 - ,002
400	4,000	,109	+ ,003 - ,003	4,424	+ ,065 - ,065	,331	+ ,012 - ,012	,331	+ ,012 - ,012	,166	+ ,008 - ,008	,125	+ ,015 - ,002
412	4,125	,109	+ ,003 - ,003	4,558	+ ,065 - ,065	,331	+ ,012 - ,012	,331	+ ,012 - ,012	,171	+ ,009 - ,009	,125	+ ,015 - ,002
425	4,250	,109	+ ,003 - ,003	4,691	+ ,065 - ,065	,331	+ ,012 - ,012	,331	+ ,012 - ,012	,180	+ ,009 - ,009	,125	+ ,015 - ,002
433	4,331	,109	+ ,003 - ,003	4,756	+ ,065 - ,065	,366	+ ,012 - ,012	,366	+ ,012 - ,012	,180	+ ,009 - ,009	,156	+ ,020 - ,005
450	4,500	,109	+ ,003 - ,003	4,940	+ ,065 - ,065	,366	+ ,012 - ,012	,366	+ ,012 - ,012	,181	+ ,009 - ,009	,156	+ ,020 - ,005
462	4,625	,109	+ ,003 - ,003	5,076	+ ,065 - ,065	,366	+ ,012 - ,012	,366	+ ,012 - ,012	,183	+ ,009 - ,009	,156	+ ,020 - ,005

segue - to continue - Fortsetzung folgt

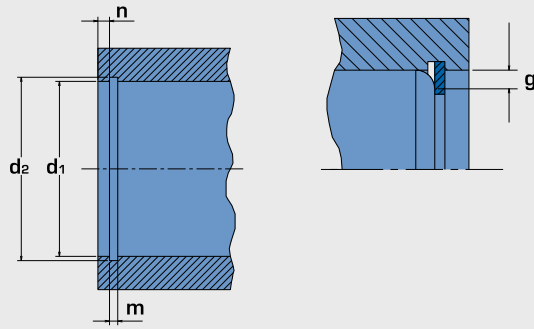
 Dimensioni sede
 Housing dimensions
 Nutmaße

 Dimensioni anello
 Ring dimensions
 Ringmaße

 Dati Complementari
 Supplementary data
 Ergänzende Daten

 Libbre per 1.000 pezzi
 Pound per 1.000 pieces
 Pfund je 1.000 St.

 Pinza
 Plier
 Zange



2000-5000

1b

Dimensioni in pollici - Dimensions in inches - Abmessungen in Zoll

Ring n°	d ₁	d ₂		m		n	F _N	F _R	g	F _{Rg}	lbs	Pinza	
306	3,062	3,248	+ ,006 - ,006	,120	+ ,005 - ,000	,279	24100	47807	,0780	12000	60,500	J3	J31
312	3,125	3,315	+ ,006 - ,006	,120	+ ,005 - ,000	,285	25200	48822	,0790	12000	64,460	J3	J31
315	3,149	3,341	+ ,006 - ,006	,120	+ ,005 - ,000	,288	25700	49329	,0800	12000	64,649	J3	J31
315	3,156	3,348	+ ,006 - ,006	,120	+ ,005 - ,000	,288	25700	49329	,0800	12000	64,649	J3	J31
325	3,250	3,446	+ ,006 - ,006	,120	+ ,005 - ,000	,294	27000	50750	,0830	12000	66,469	J3	J31
334	3,346	3,546	+ ,006 - ,006	,120	+ ,005 - ,000	,300	28300	52374	,0860	12000	67,628	J3	J31
347	3,469	3,675	+ ,006 - ,006	,120	+ ,005 - ,000	,309	30200	54201	,0860	12000	69,058	J3	J31
350	3,500	3,710	+ ,006 - ,006	,120	+ ,005 - ,000	,315	31200	54709	,0880	12000	69,953	J3	J31
354	3,543	3,755	+ ,006 - ,006	,120	+ ,005 - ,000	,318	31800	55419	,0880	12000	70,620	J3	J31
354	3,562	3,776	+ ,006 - ,006	,120	+ ,005 - ,000	,321	31800	55419	,0880	12000	70,620	J3	J31
362	3,625	3,841	+ ,006 - ,006	,120	+ ,005 - ,000	,324	33200	56739	,0930	12000	75,790	J3	J31
375	3,740	3,964	+ ,006 - ,006	,120	+ ,005 - ,000	,336	35600	58566	,0960	12000	78,188	J3	J31
375	3,750	3,974	+ ,006 - ,006	,120	+ ,005 - ,000	,336	35600	58566	,0960	12000	78,188	J3	J31
387	3,875	4,107	+ ,006 - ,006	,120	+ ,005 - ,000	,348	38000	60494	,0980	12000	89,408	J3	J31
393	3,938	4,174	+ ,006 - ,006	,120	+ ,005 - ,000	,354	39300	61611	,0990	12000	88,440	J3	J31
400	4,000	4,240	+ ,006 - ,006	,120	+ ,005 - ,000	,360	40700	62626	,1020	12000	91,564	J3	J31
412	4,125	4,365	+ ,006 - ,006	,120	+ ,005 - ,000	,360	42000	64554	,1040	12000	95,040	J3	J31
425	4,250	4,490	+ ,006 - ,006	,120	+ ,005 - ,000	,360	43200	66483	,1100	12000	99,946	J3	J31
433	4,331	4,571	+ ,006 - ,006	,120	+ ,005 - ,000	,360	44500	67599	,1140	12000	104,698	J4	J41
450	4,500	4,740	+ ,006 - ,006	,120	+ ,005 - ,000	,360	45800	70340	,1170	12000	108,592	J4	J41
462	4,625	4,865	+ ,006 - ,006	,120	+ ,005 - ,000	,360	47000	72370	,1210	12000	121,000	J4	J41

segue - to continue - Fortsetzung folgt

Dimensioni sede
Housing dimensions
Nutmaße

Dimensioni anello
Ring dimensions
Ringmaße

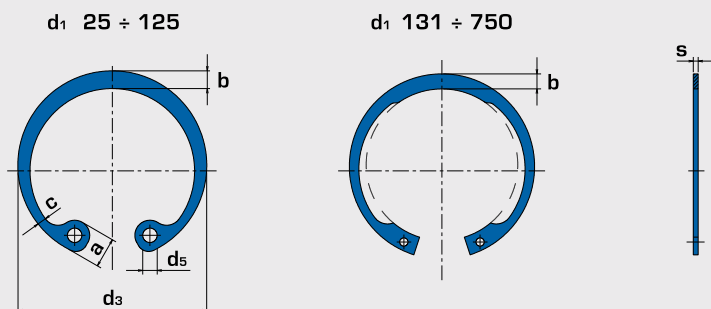
Dati Complementari
Supplementary data
Ergänzende Daten

Libbre per 1.000 pezzi
Pound per 1.000 pieces
Pfund je 1.000 St.

Pinza
Plier
Zange



1b

2000-5000


Dimensioni in pollici - Dimensions in inches - Abmessungen in Zoll

Ring n°	d ₁	s		d ₃		a		b		c		d ₅	
475	4,724	,109	+ ,003 - ,003	5,213	+ ,065 - ,065	,366	+ ,012 - ,012	,366	+ ,012 - ,012	,183	+ ,009 - ,009	,156	+ ,020 - ,005
475	4,750	,109	+ ,003 - ,003	5,213	+ ,065 - ,065	,366	+ ,012 - ,012	,366	+ ,012 - ,012	,183	+ ,009 - ,009	,156	+ ,020 - ,005
500	5,000	,109	+ ,003 - ,003	5,485	+ ,065 - ,065	,366	+ ,012 - ,012	,366	+ ,012 - ,012	,186	+ ,009 - ,009	,156	+ ,020 - ,005
525	5,250	,125	+ ,004 - ,004	5,770	+ ,065 - ,065	,378	+ ,012 - ,012	,378	+ ,012 - ,012	,198	+ ,009 - ,009	,156	+ ,020 - ,005
537	5,375	,125	+ ,004 - ,004	5,910	+ ,065 - ,065	,378	+ ,012 - ,012	,378	+ ,012 - ,012	,198	+ ,009 - ,009	,156	+ ,020 - ,005
550	5,500	,125	+ ,004 - ,004	6,066	+ ,065 - ,065	,378	+ ,012 - ,012	,378	+ ,012 - ,012	,198	+ ,009 - ,009	,156	+ ,020 - ,005
575	5,750	,125	+ ,004 - ,004	6,336	+ ,065 - ,065	,378	+ ,012 - ,012	,378	+ ,012 - ,012	,198	+ ,009 - ,009	,156	+ ,020 - ,005
600	6,000	,125	+ ,004 - ,004	6,620	+ ,065 - ,065	,378	+ ,012 - ,012	,378	+ ,012 - ,012	,198	+ ,009 - ,009	,156	+ ,020 - ,005
625	6,250	,156	+ ,005 - ,005	6,895	+ ,080 - ,080	,472	+ ,012 - ,012	,472	+ ,012 - ,012	,211	+ ,009 - ,009	,187	+ ,020 - ,005
650	6,500	,156	+ ,005 - ,005	7,170	+ ,080 - ,080	,472	+ ,012 - ,012	,472	+ ,012 - ,012	,219	+ ,009 - ,009	,187	+ ,020 - ,005
662	6,625	,156	+ ,005 - ,005	7,308	+ ,080 - ,080	,531	+ ,012 - ,012	,531	+ ,012 - ,012	,221	+ ,009 - ,009	,187	+ ,020 - ,005
675	6,750	,156	+ ,005 - ,005	7,445	+ ,080 - ,080	,531	+ ,012 - ,012	,531	+ ,012 - ,012	,224	+ ,009 - ,009	,187	+ ,020 - ,005
700	7,000	,156	+ ,005 - ,005	7,720	+ ,080 - ,080	,531	+ ,012 - ,012	,531	+ ,012 - ,012	,232	+ ,009 - ,009	,187	+ ,020 - ,005
725	7,250	,187	+ ,005 - ,005	7,995	+ ,090 - ,090	,551	+ ,012 - ,012	,551	+ ,012 - ,012	,238	+ ,010 - ,010	,187	+ ,020 - ,005
750	7,500	,187	+ ,005 - ,005	8,270	+ ,090 - ,090	,551	+ ,012 - ,012	,551	+ ,012 - ,012	,247	+ ,010 - ,010	,187	+ ,020 - ,005

Rev. 002 - 25/10/2012

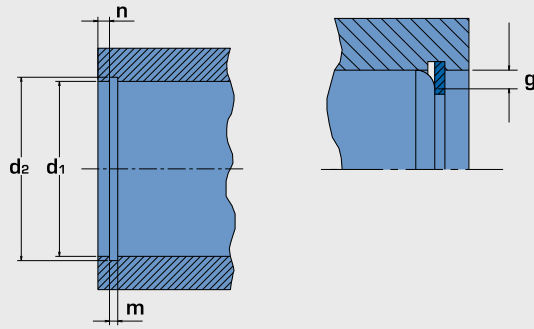
 ■ Dimensioni sede
Housing dimensions
 Nutmaße

 ■ Dimensioni anello
Ring dimensions
 Ringmaße

 ■ Dati Complementari
Supplementary data
 Ergänzende Daten

 ■ Libbre per 1.000 pezzi
Pound per 1.000 pieces
 Pfund je 1.000 St.

 ■ Pinza
Plier
 Zange



2000-5000

1b

Dimensioni in pollici - Dimensions in inches - Abmessungen in Zoll

Ring n°	d ₁	d ₂		m		n	F _N	F _R	g	F _{Rg}	lbs	Pinza	
												J4	J41
475	4,724	4,969	+ ,006 - ,006	,120	+ ,005 - ,000	,366	49000	74298	,1230	12000	120,604	J4	J41
475	4,750	4,995	+ ,006 - ,006	,120	+ ,005 - ,000	,366	49000	74298	,1230	12000	120,604	J4	J41
500	5,000	5,260	+ ,006 - ,006	,120	+ ,005 - ,000	,390	55000	78155	,1260	12000	128,128	J4	J41
525	5,250	5,520	+ ,007 - ,007	,139	+ ,006 - ,000	,405	60000	94091	,1340	15000	162,778	J4	J41
537	5,375	5,650	+ ,007 - ,007	,139	+ ,006 - ,000	,405	61500	96324	,1340	15000	167,398	J4	J41
550	5,500	5,770	+ ,007 - ,007	,139	+ ,006 - ,000	,405	63300	98658	,1340	15000	172,370	J4	J41
575	5,750	6,020	+ ,007 - ,007	,139	+ ,006 - ,000	,405	65900	103124	,1340	15000	177,474	J4	J41
600	6,000	6,270	+ ,007 - ,007	,139	+ ,006 - ,000	,405	68600	107489	,1340	15000	188,276	J4	J41
625	6,250	6,530	+ ,008 - ,008	,174	+ ,008 - ,000	,420	74100	139766	,1420	23000	303,600	J5	J51
650	6,500	6,790	+ ,008 - ,008	,174	+ ,008 - ,000	,435	79900	145450	,1450	23000	319,000	J5	J51
662	6,625	6,925	+ ,008 - ,008	,174	+ ,008 - ,000	,450	84200	148190	,1460	23000	340,560	J5	J51
675	6,750	7,055	+ ,008 - ,008	,174	+ ,008 - ,000	,456	87000	151032	,1500	23000	355,388	J5	J51
700	7,000	7,315	+ ,008 - ,008	,174	+ ,008 - ,000	,471	93100	156615	,1570	23000	376,640	J5	J51
725	7,250	7,575	+ ,008 - ,008	,209	+ ,008 - ,000	,486	99600	194373	,1620	34000	490,600	J5	J51
750	7,500	7,840	+ ,008 - ,008	,209	+ ,008 - ,000	,510	108100	201173	,1660	34000	508,200	J5	J51

Rev. 002 - 25/10/2012

Dimensioni sede
Housing dimensions
Nutmaße

Dimensioni anello
Ring dimensions
Ringmaße

Dati Complementari
Supplementary data
Ergänzende Daten

Libbre per 1.000 pezzi
Pound per 1.000 pieces
Pfund je 1.000 St.

Pinza
Plier
Zange